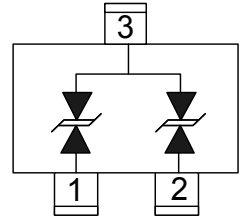
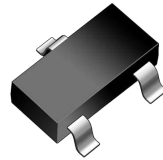


### Features

- 110Watts peak pulse power ( $t_p = 8/20\mu s$ )
- SOT-523 package
- Bidirectional configurations
- Low clamping voltage
- Low leakage current
- Medium capacitance ( $C_j=8pF$  typ.)
- Protection one data/power line to:  
IEC 61000-4-2  $\pm 30kV$  contact  $\pm 30kV$  air  
IEC 61000-4-4 (EFT) 40A (5/50ns)  
IEC 61000-4-5 (Lightning) 10A (8/20 $\mu s$ )



### Mechanical Data

- **Case:** SOT-523 (plastic package).  
Lead free; RoHS compliant; Halogen free
- **Molding Compound Flammability Rating:**  
UL 94 V-0
- **Terminals:** High temperature soldering guaranteed:  
260 °C/10 sec. at terminals

### Applications

- Computers and peripherals
- Communication systems
- Notebook
- Cellular handsets and accessories
- Portable electronics
- Audio and video equipment

### Absolute Maximum Ratings

Ratings at 25 °C, ambient temperature unless otherwise specified

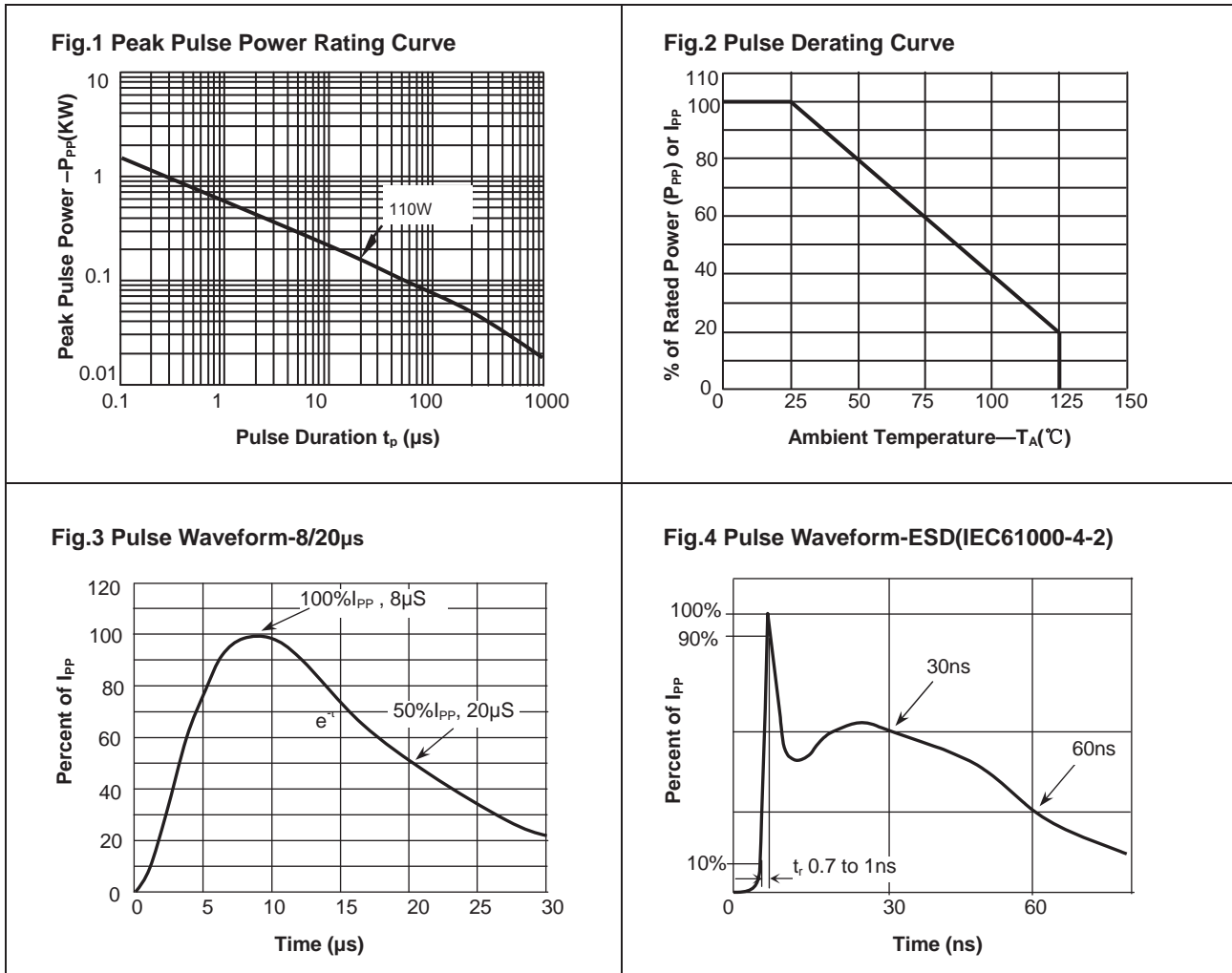
Parameter	Symbol	Value	Unit
Peak Pulse Power ( $T_P=8/20\mu s$ )	$P_{PP}$	130	W
ESD contact/air discharge (IEC-61000-4-2)	$V_{ESD}$	30/30	kV
Peak Pulse Current ( $T_P = 8/20\mu s$ )	$I_{PP}$	10	A
Junction Temperature	$T_J$	-55 to +125	°C
Storage temperature	$T_{STG}$	-55 to +150	°C

### Electrical Characteristics

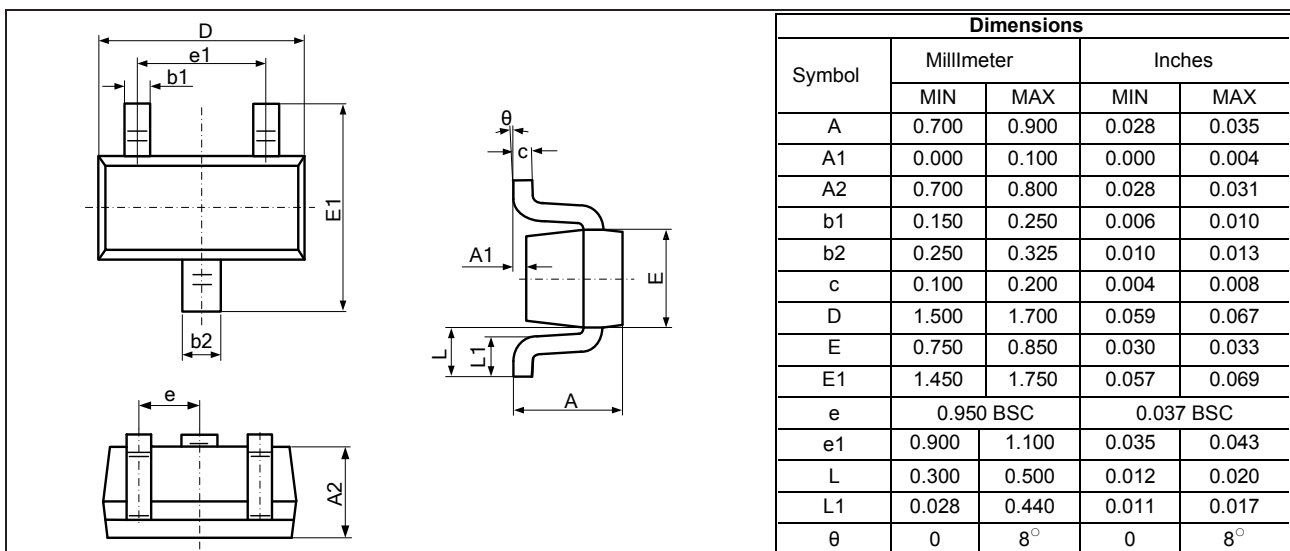
( $T_A = 25$  °C unless otherwise specified)

Parameter	Symbol	Condition	Min	Typ	Max	Unit
Reverse stand-off Voltage	$V_{RWM}$				5.0	V
Reverse Breakdown Voltage	$V_{BR}$	$I_T=1mA$	5.8		7.0	V
Reverse Leakage Current	$I_R$	$V_R = 5.0V$			0.1	$\mu A$
Clamping Voltage (IEC61000-4-5)	$V_C$	$I_{PP} = 1A$			7	V
Clamping Voltage (IEC61000-4-5)	$V_C$	$I_{PP} = 10A$			13	V
Junction Capacitance	$C_J$	$V_R=0V, f=1MHz$		8		pF

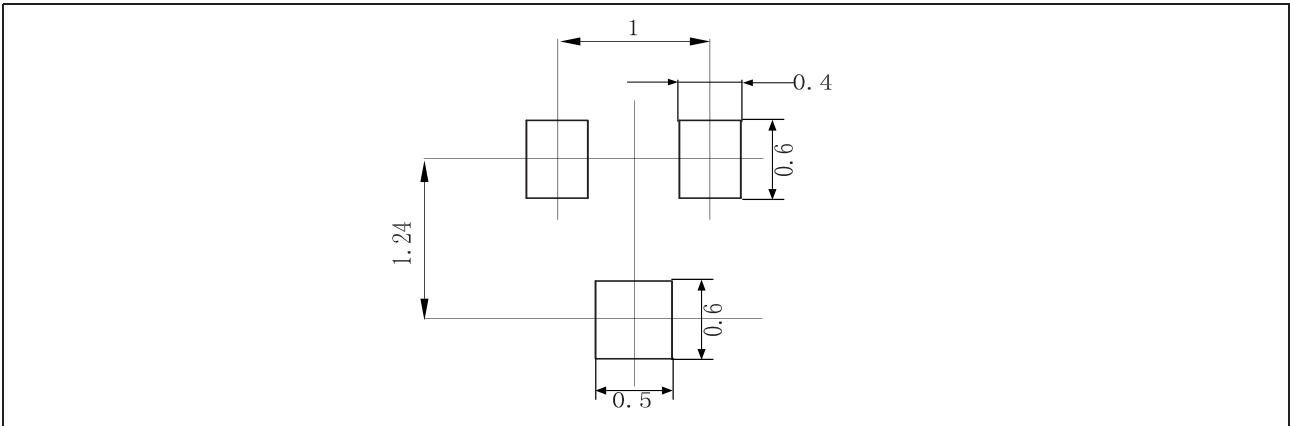
### Typical Characteristics ( $T_{amb} = 25^\circ\text{C}$ unless otherwise specified)



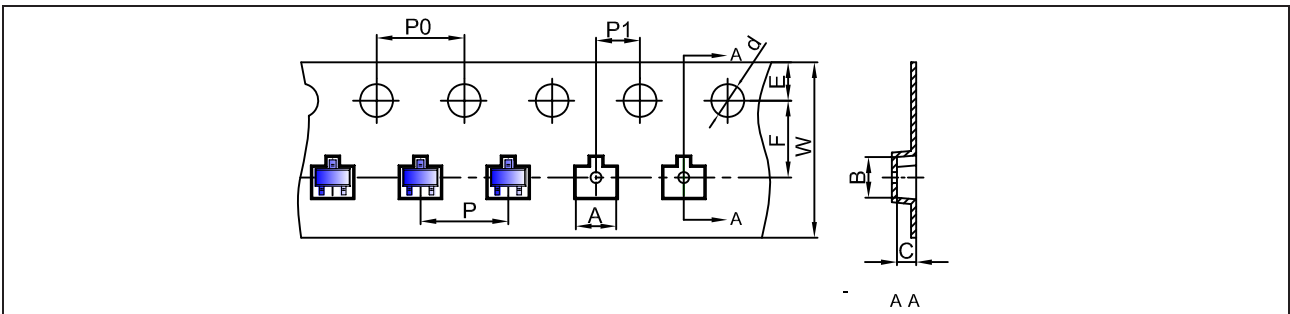
### Package Dimensions



**Pad Dimensions**



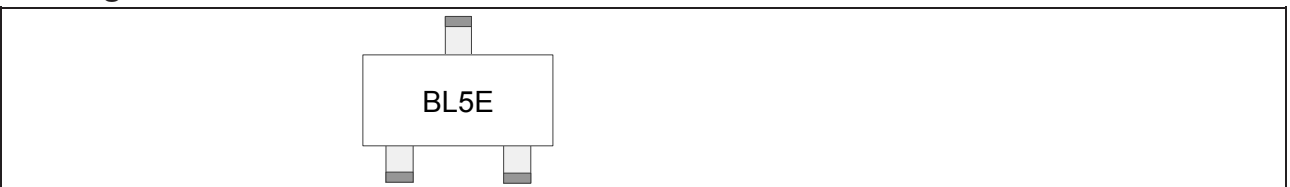
**Pad Dimensions**



Dimensions are in millimeter

Pkg type	A	B	C	d	E	F	P0	P	P1	W
SOT-523	1.85	1.85	0.875	Ø1.50	1.75	3.50	4.00	4.00	2.00	8.00
(Tolerance)	+/-0.05	+/-0.05	+/-0.05	+/-0.1	+/-0.1	+/-0.1	+/-0.1	+/-0.1	+/-0.1	+0.3/-0.1

**Marking**



**Ordering information**

Order code	Package	Packaging option	Base quantity	Packaging specification
YELST530510AG	SOT-523	Tape and reel	3000pcs / reel	EIA STD RS-481